

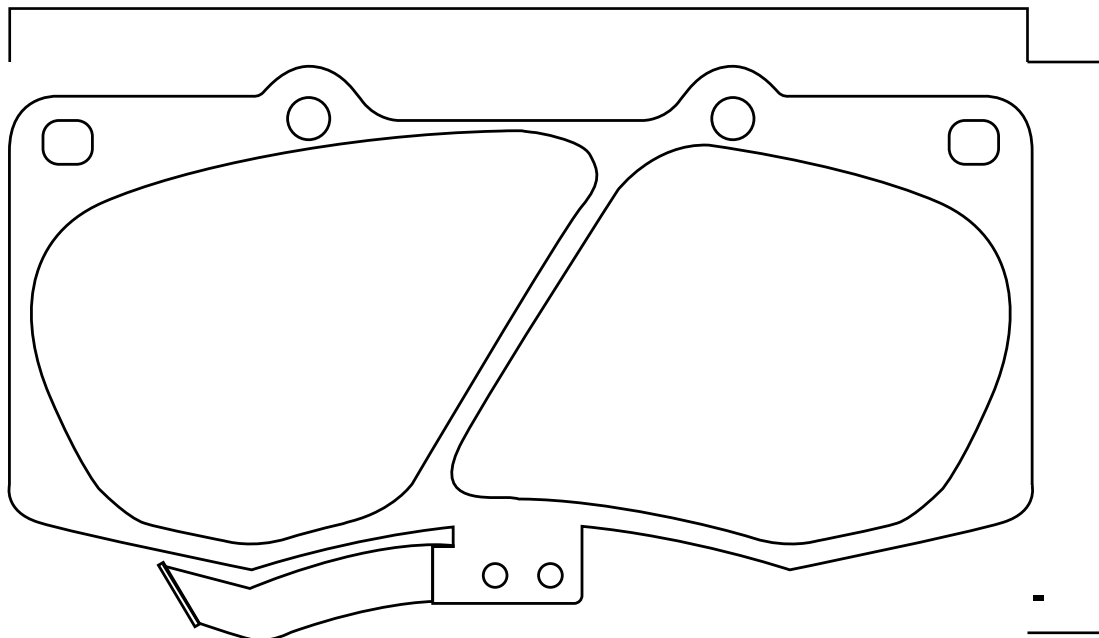
No. **IF2117**

No.

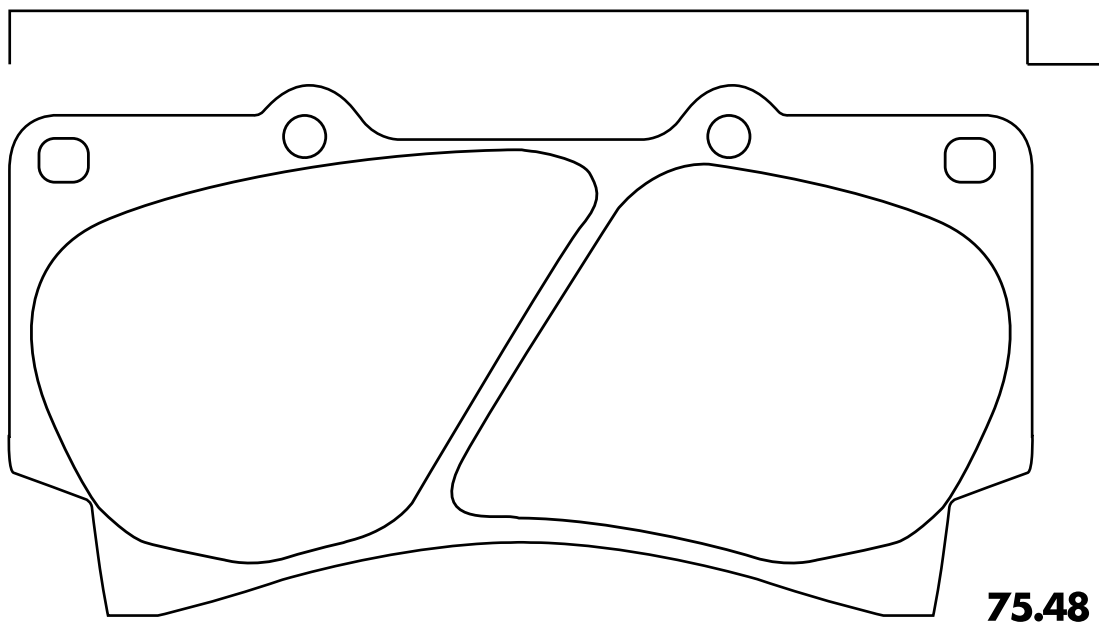


GM CHEVROLET

134.59



134.59



75.48