

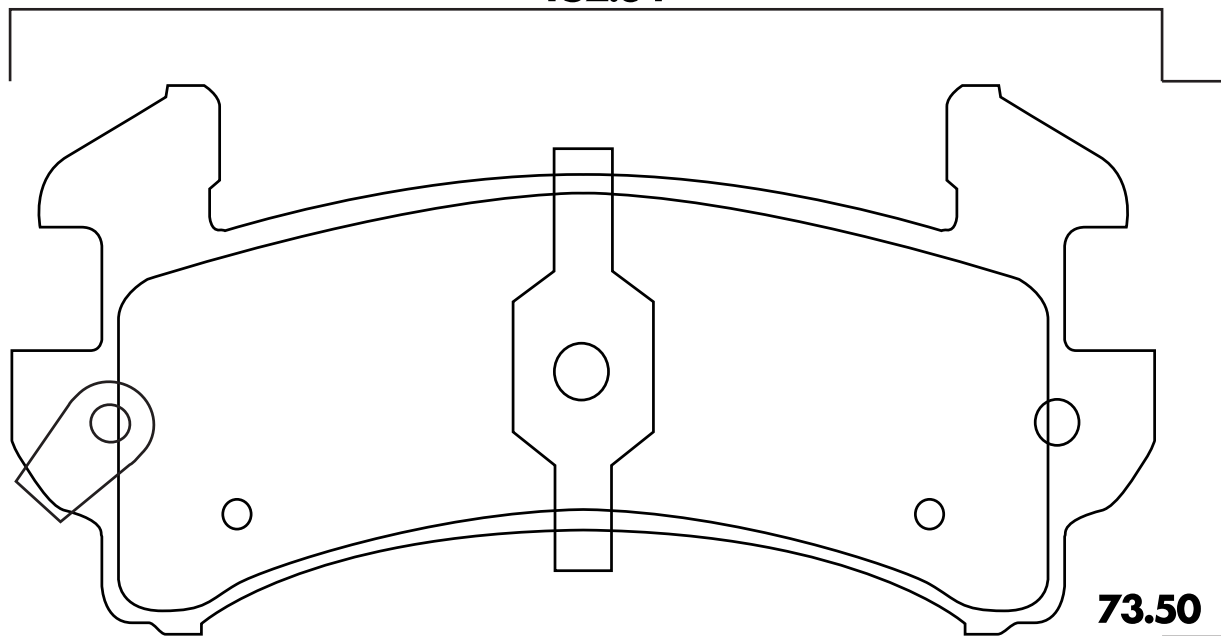
No. **IF2119**

No.



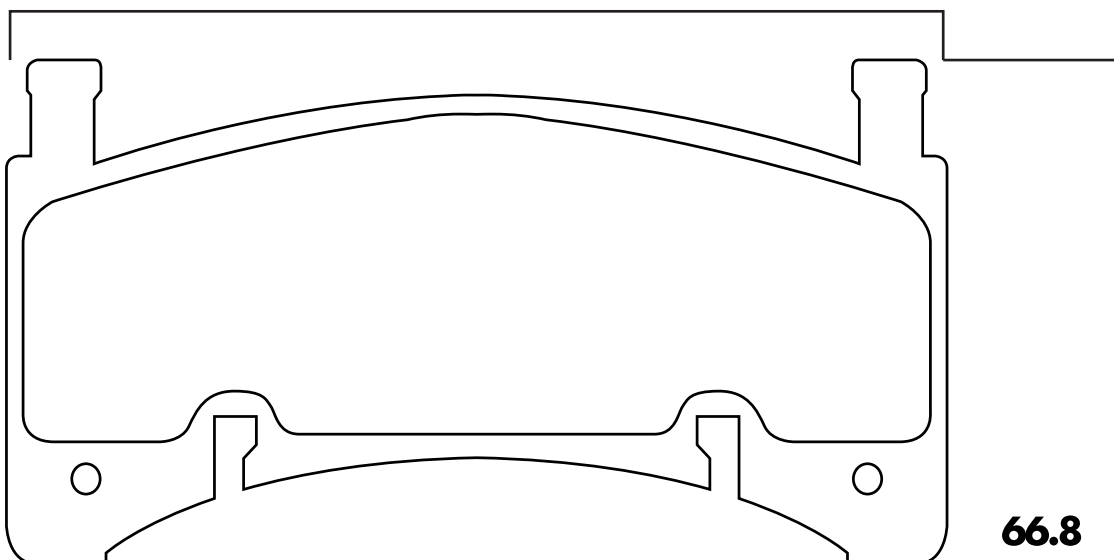
GM CHEVROLET

152.34



73.50

123.40



66.8