

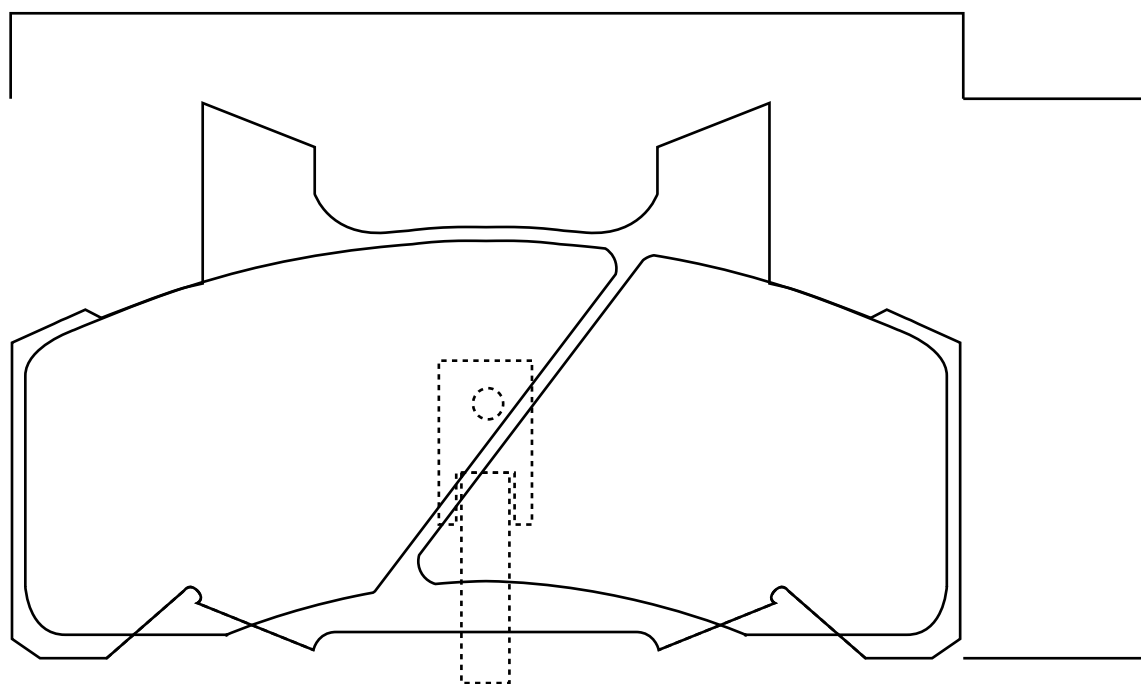
No. **IF6103**

No. \_\_\_\_\_



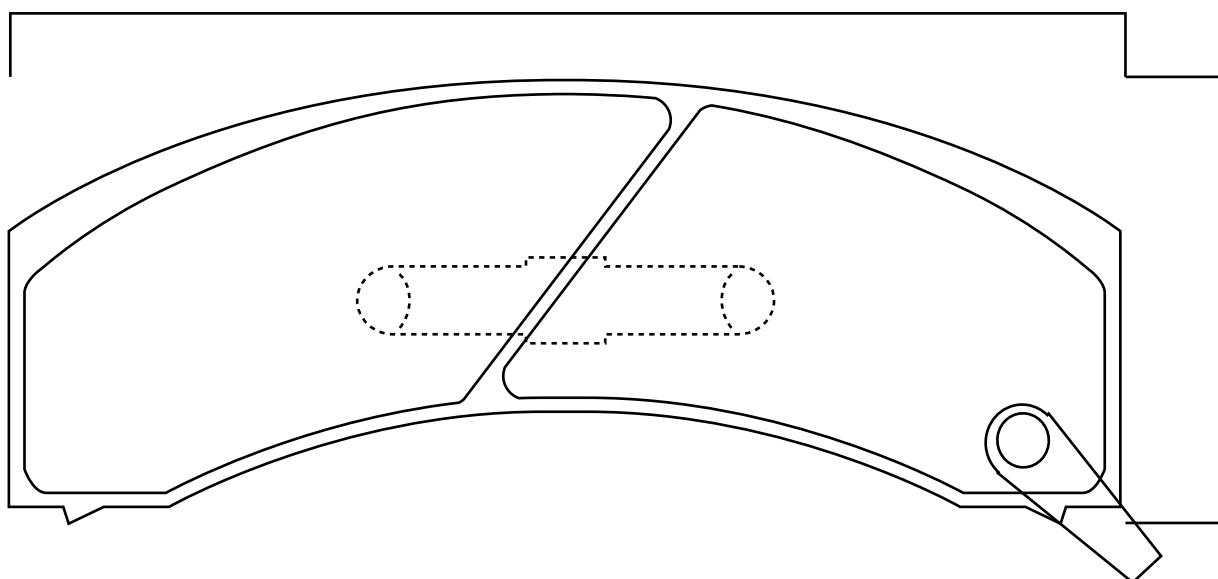
**DODGE**

**126.5**



**76.5**

**147.0**



**59.0**