

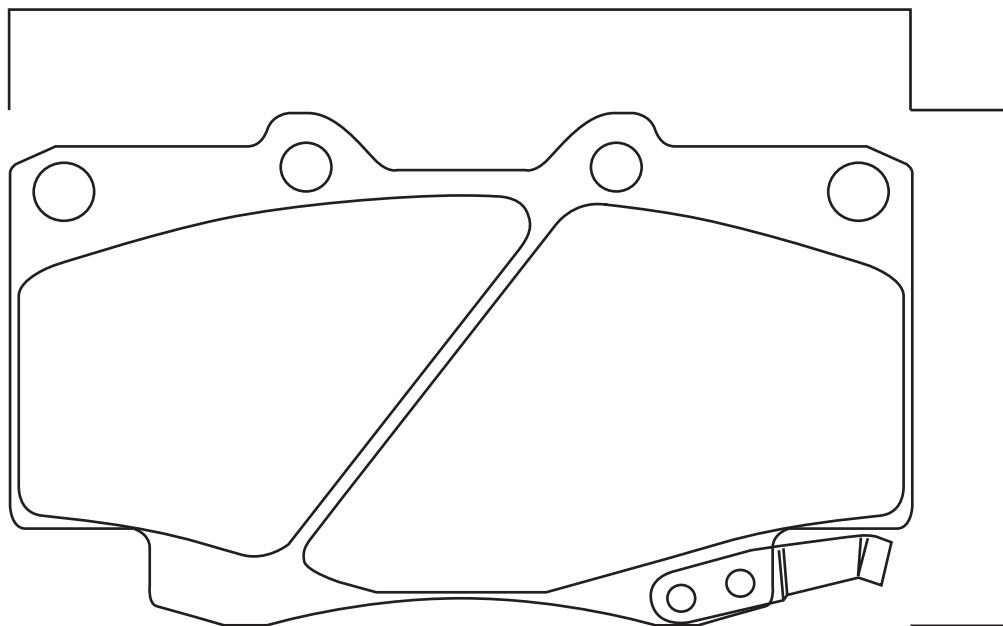
Nb. **IF8109**

Nb. \_\_\_\_\_



**FORD**

**119.2**



**68.2**