

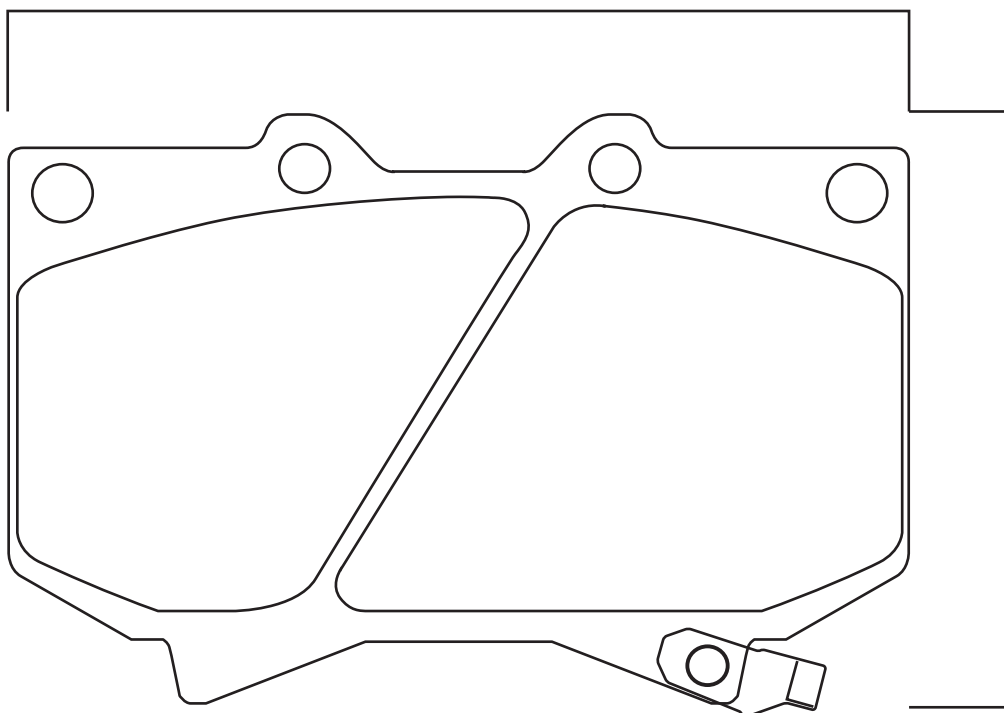
Nb. **IF8114**

Nb. _____



FORD

119.5



78.3